



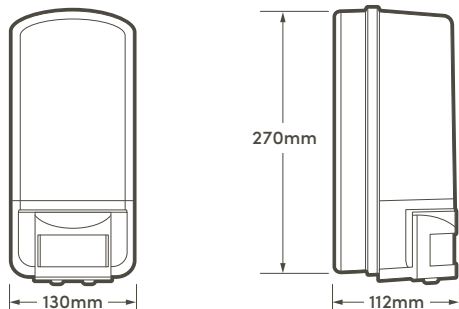
Cape 6w LED Bulkhead

COMPLETE WITH PIR SENSOR
BLACK



Features

- Polycarbonate
- Adjustable PIR sensor



Technical information

Wattage:	6w
Lumen output:	428lm
Lumens per Watt:	71.3lm
CCT:	6500k
Voltage:	110-240v
Detection distance:	12m
Detection Range:	Approx 110°
Duration:	(10+5) secs - (4+1) mins
Lux Level:	From Daylight to Night Adjustable
Photometric Data:	Available on request

Product code: **HSLEDBH/PIR**