



Danube Walk Over Light

STAINLESS STEEL

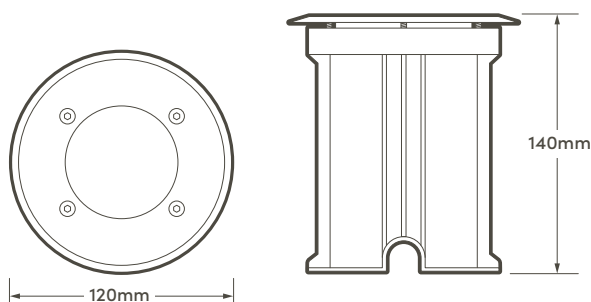


Features

- Die cast aluminium construction
- Maximum load of 500kgs
- IP67 rated to prevent water ingress
- Lamp not included
- GU10 Lamp compatible
- 0.3m 1.0mm² cable

Technical information

Max LED lamp load:	35w
Voltage:	220-240v



Product code: **HSLEDWOL**